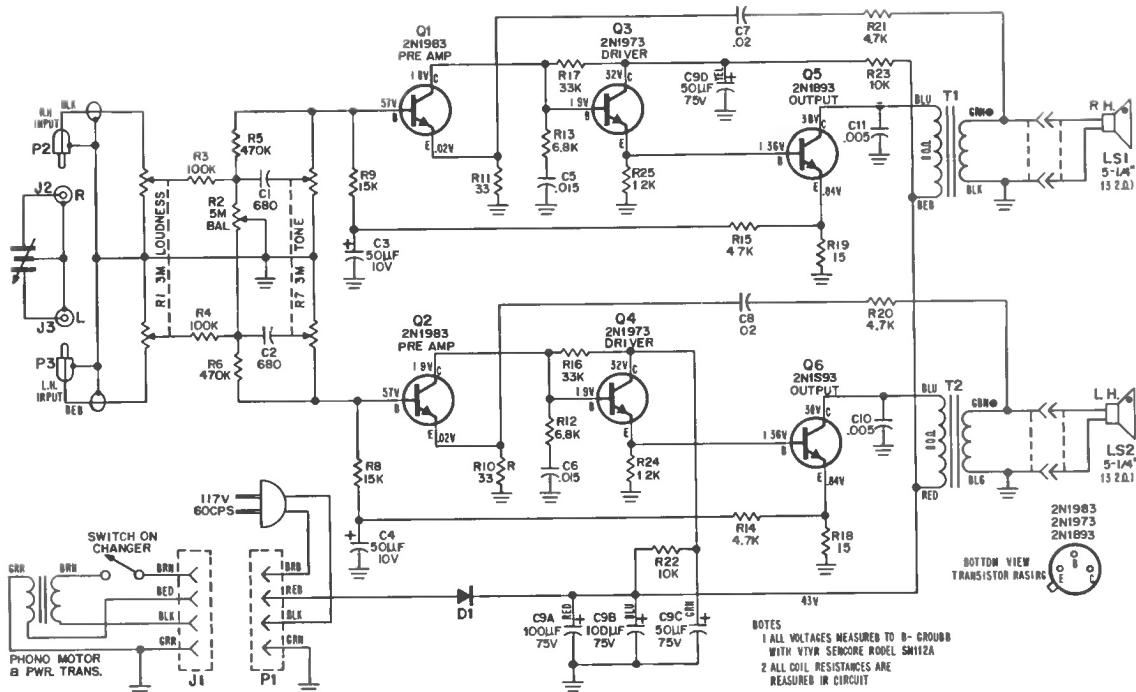


PHILCO Model P1446



- NOTES**
- 1 ALL VOLTAGES MEASURED TO B-GROUND WITH VTNR SEMICORE MODEL SM112A
 - 2 ALL COIL RESISTANCES ARE MEASURED IN CIRCUIT